



## **AC Dimmable MR16 - GU10 Data Sheet**



# Advantages

---

- **Power Consumption: 5 Watts**
- **High Brightness:**
  - **True White – 220 lm**
  - **Warm White – 180 lm**
- **Long Lifespan: 40,000 hrs, and zero maintenance costs**
- **No Flicker**

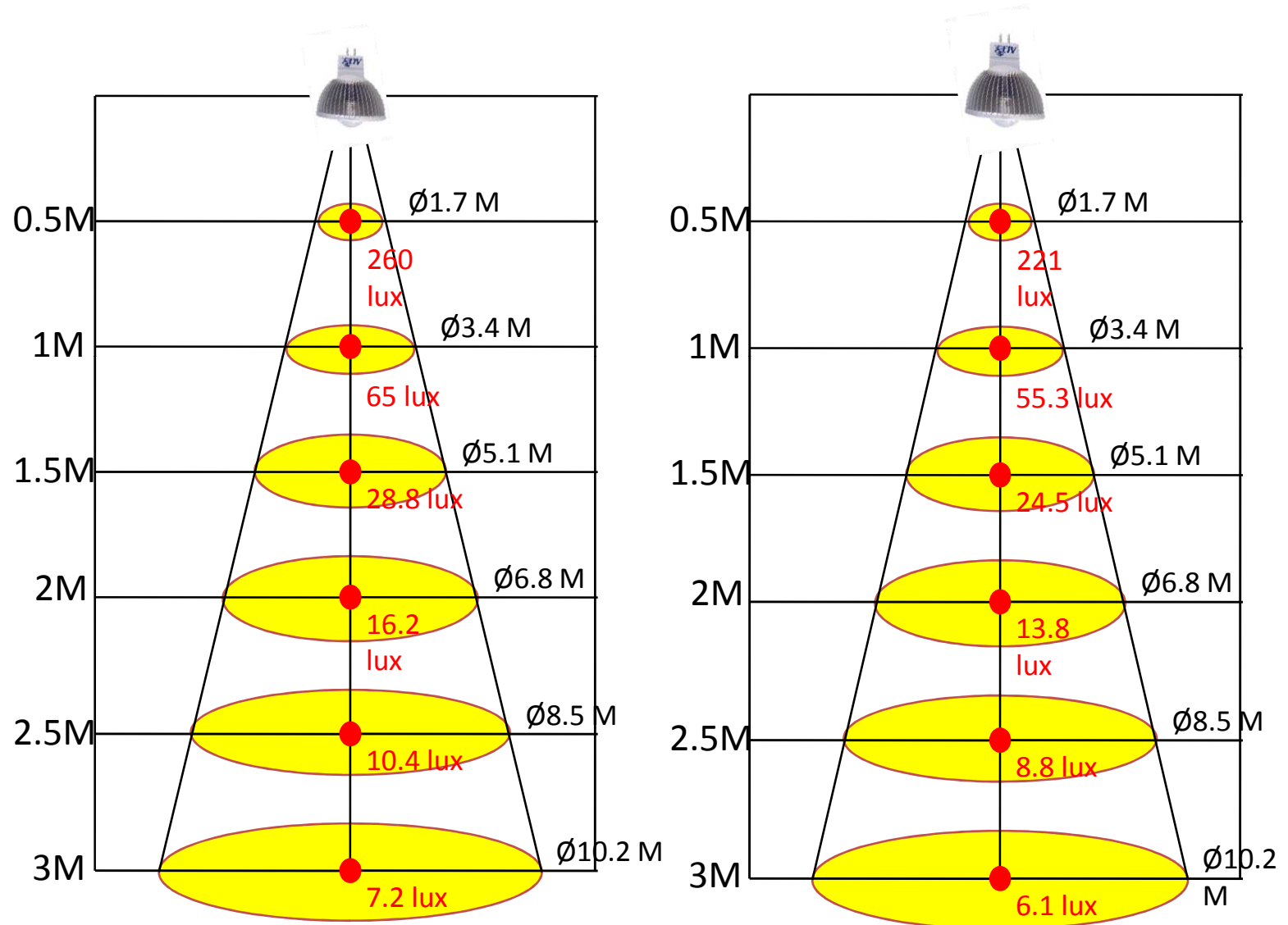
<b>Source :</b>	<b>AC LED</b>
Beam Angles :	38° & 60° & 120°
Dimension :	Φ 50.5 mm x 56.9 mm (GU10 / GZ10)
Weight :	0.88 ~ 1.69 oz. (25 ~ 48 g)
Regulatory :	RoHS

<b>Working Voltage :</b>	<b>110 / 220V AC</b>
Power Consumption :	5W
Correlated Colour Temperature :	True White (4,500K ~ 7200K) / Warm White (2,500K ~ 3,250K)
Product Lifespan :	40,000 hrs
Warranty :	2 years
One Million US Dollars Worldwide Product Liability Insurance	

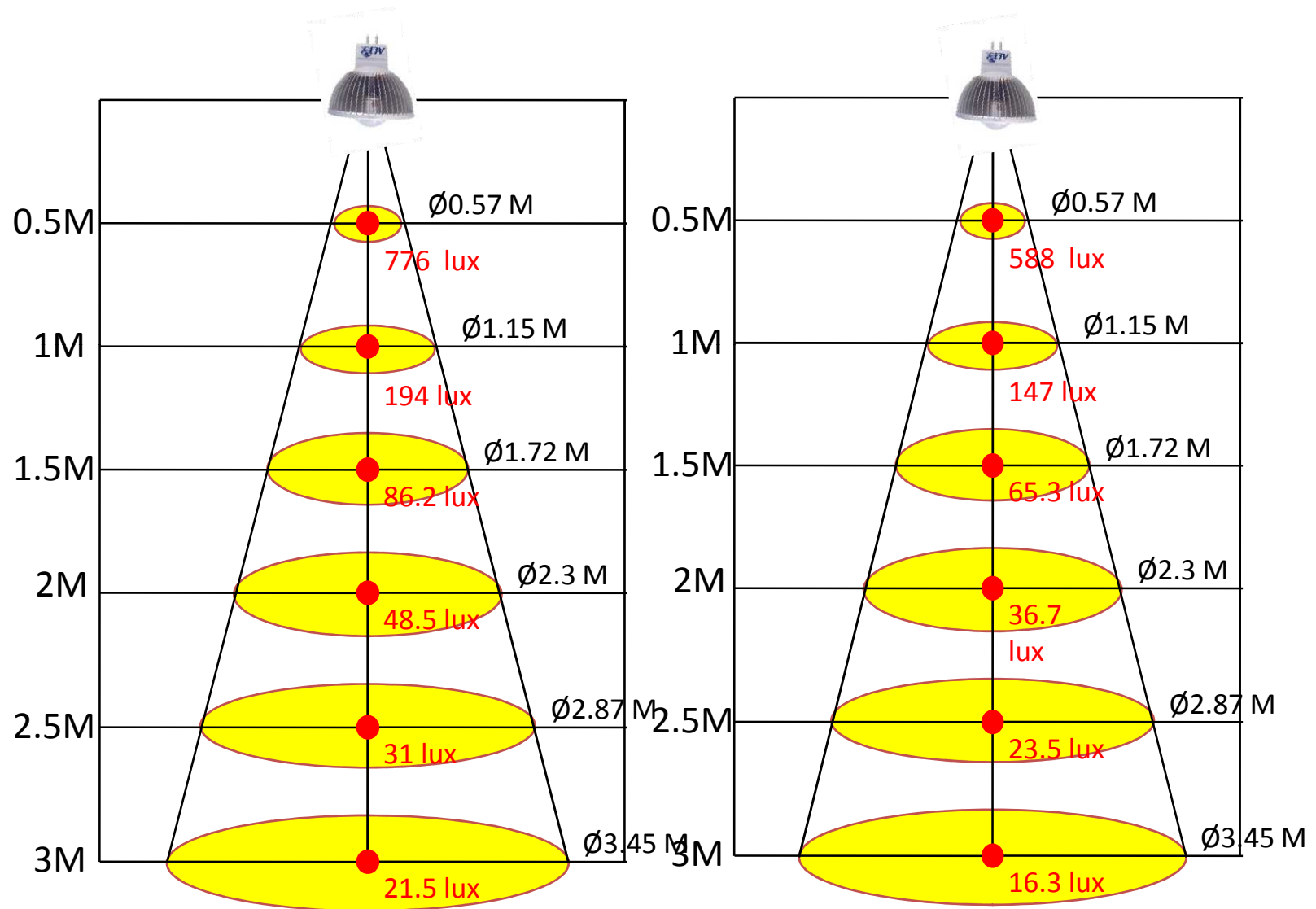
**ENVIRONMENTAL SPECIFICATIONS :**

Temperature Range Ambient: 14°F to 122°F (-10°C to 40°C) ; Pass Thermal Shock Testing;  
Humidity Range: 0 to 95% non-condensing humidity

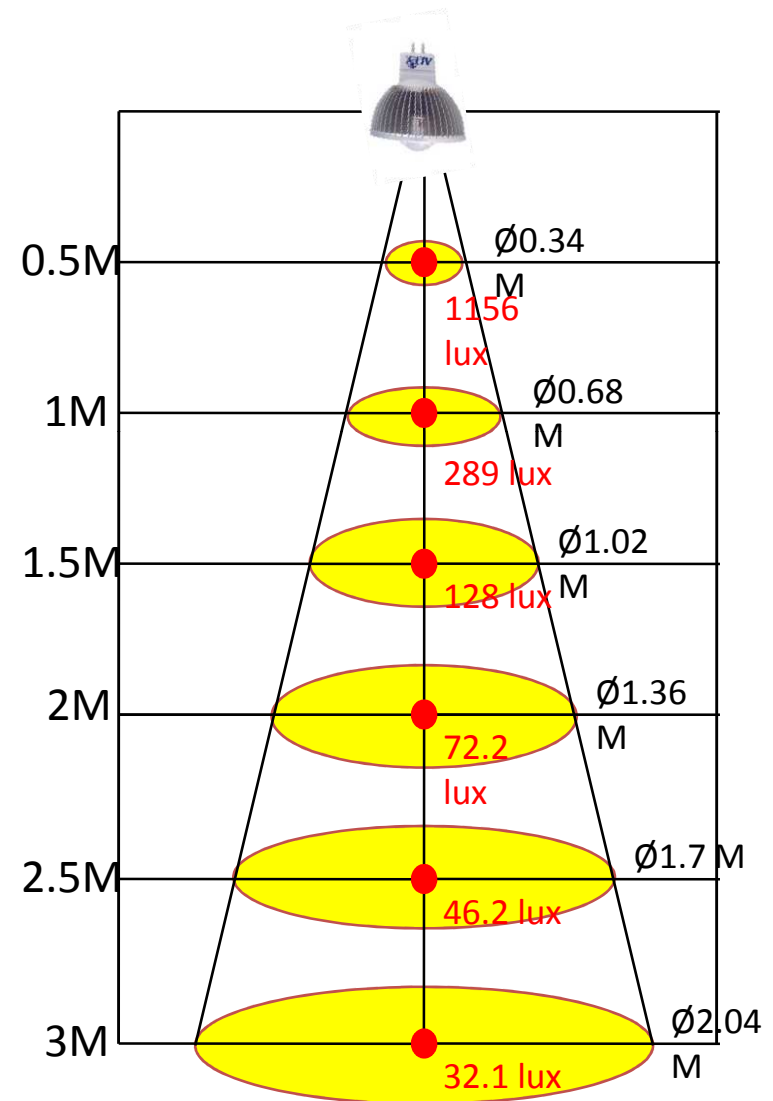
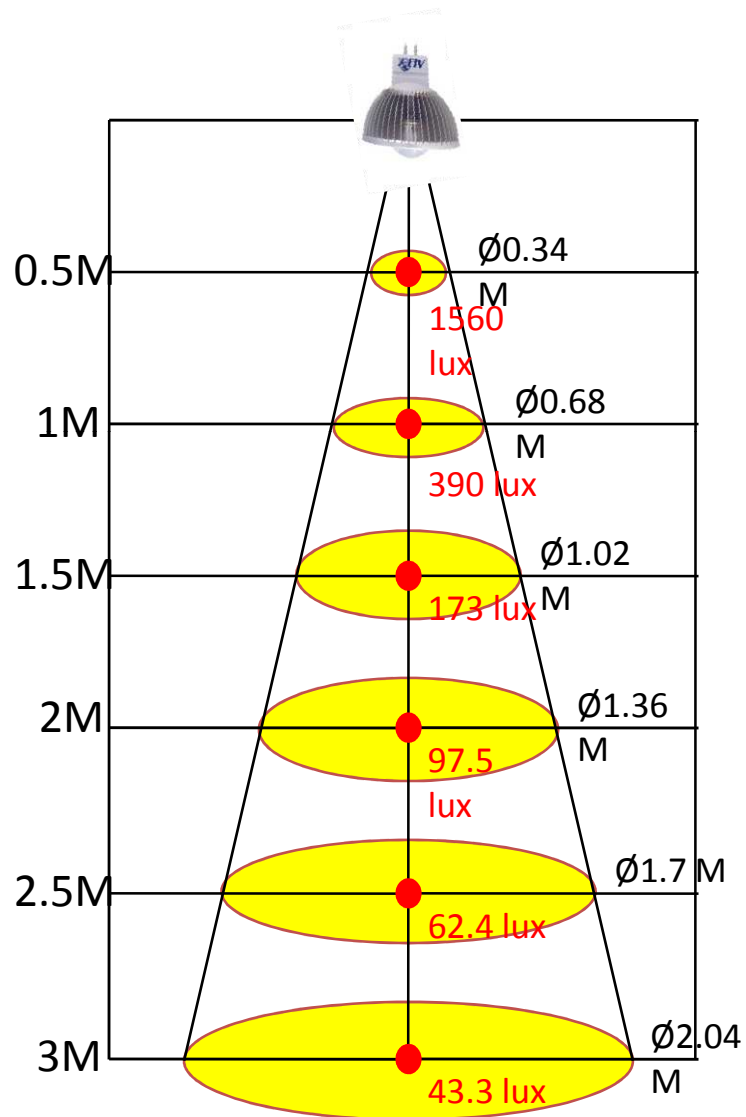
# Luminance at Distance



# Luminance at Distance



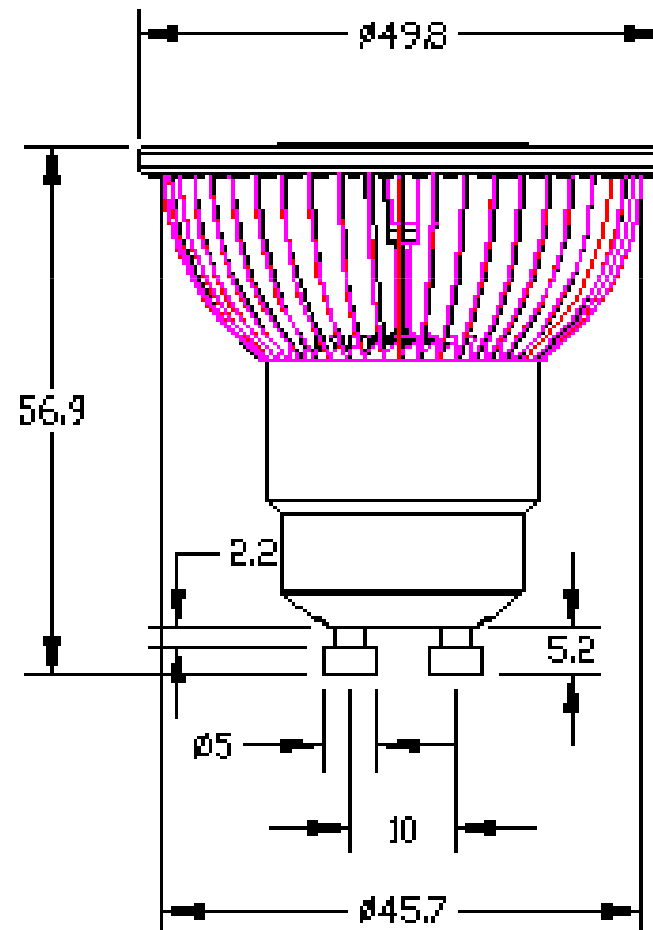
# Luminance at Distance



# Design – GU10 / GZ10

**MECHANICAL DIMENSIONS** : Drawing not to scale. All dimensions are in millimetres

\* Fit must be verified in end user fixtures. See Physical Dimensions



# Applications

Shop Window

Bar



Jewelry

Hotel

Meeting Room

# Dimming Function Comparison

