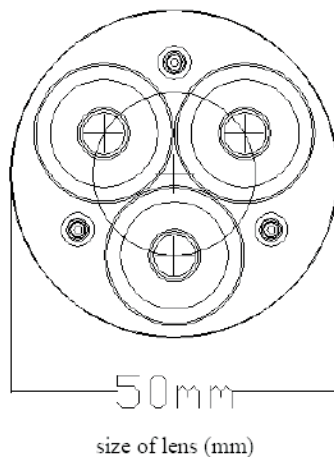
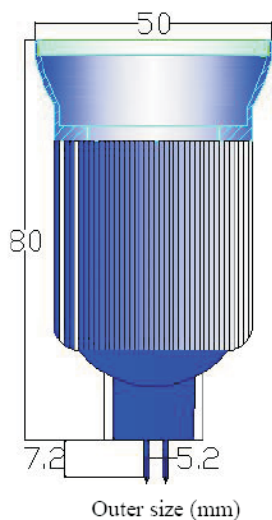


# geolights

- innovations for a brighter future -



## Description:

Our LED MR16 50's are built with a durable aluminum housing and fragmented lens to help disperse light. Only drawing 7 watts, it is equivalent to a 50 watt halogen lamp.

- LED MR16 50
- 7 Watt
- 50,000 hour life
- 12 volt
- Pure White (3500k - 5000k)
- Warm White (2600k - 3500k)
- Replaces a 50W Halogen MR16
- 3 CREE SMD LED's
- Minimal Heat
- Viewing Angles (15°, 30°, 45°, 55°)
- Non-dimming
- 3 year warranty

## Some Applications:

- Hospitality lighting
- Display cases
- Residential lighting
- School and office lighting
- Parking structures
- Hazardous area lighting

## Installation:



Converting your Halogen lighting to our replacement LED MR16 LED bulb is simple, unplug your old bulb, replace it with your new LED MR16. That's it! In a matter of seconds you will begin conserving energy and will have increased the life span of your lighting systems.

## GREEN FOR GREEN

Going green is easier than it seems. A lesson taught by fluorescent lighting, something as simple as changing a light to a more efficient source can reduce your impact on the environment, and your wallet.

Where do fluorescent lights fail? They are becoming obsolete and inefficient. Mercury pollution from fluorescent bulbs will have a negative environmental impact. Lack severely in life-span by comparison to LED Bulbs.

Converting to LED Lighting can also reduce maintenance costs. At the same time it can provide you savings in replacement costs and energy consumption. Keep more **GREEN** in your pockets by going **GREEN**



Please call or email us for more information

Geolights, Inc. - USA  
3040 Temple Ave, Suite 165  
Pomona, CA 91766

Tel: 909.895.4697  
Fax: 909.510.6308  
info@geolights.com  
www.geolights.com